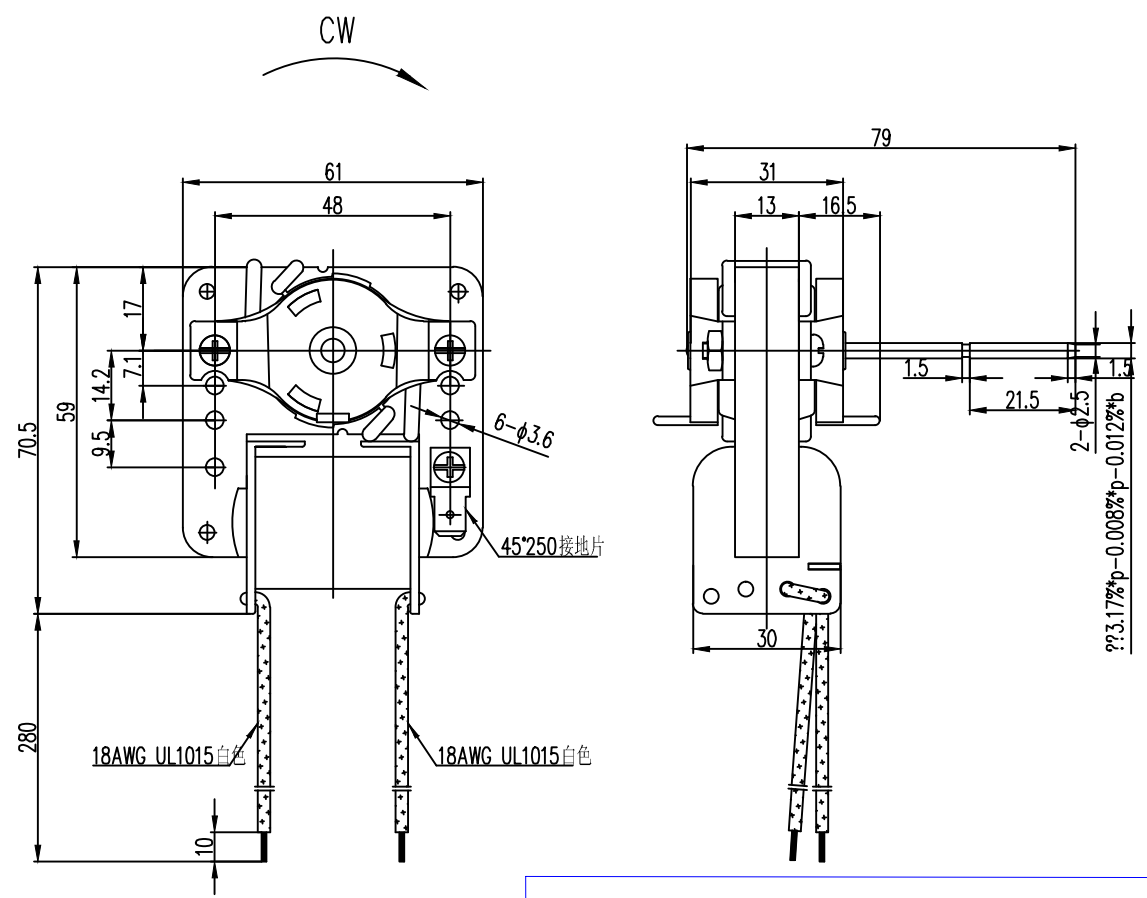


1 2 3 4 5

D  
C  
B  
A

D  
C  
B  
A



DRAWN BY :		GBJN3.137.578		YJF61/13 外形图	
RESP ENGR :					
APPROVED BY:					
APPROVED BY:		ERM245		常州五王电机有限公司	
APPROVED BY:					
UNLESS OTHERWISE SPECIFIED DIMENSIONS ARE IN INCHES TOLERANCES ARE:					
DECIMAL .XX	± .030	CAGE CODE	PART NUMBER	REV	
DECIMAL .XXX	± .005	SCALE	DO NOT SCALE DRAWING	SHEET NO	
DECIMAL .XXXX	± .0005				
ANGULAR:	±				
1"					
FRACTIONS:	± 1/64				

1 2 3 4 5