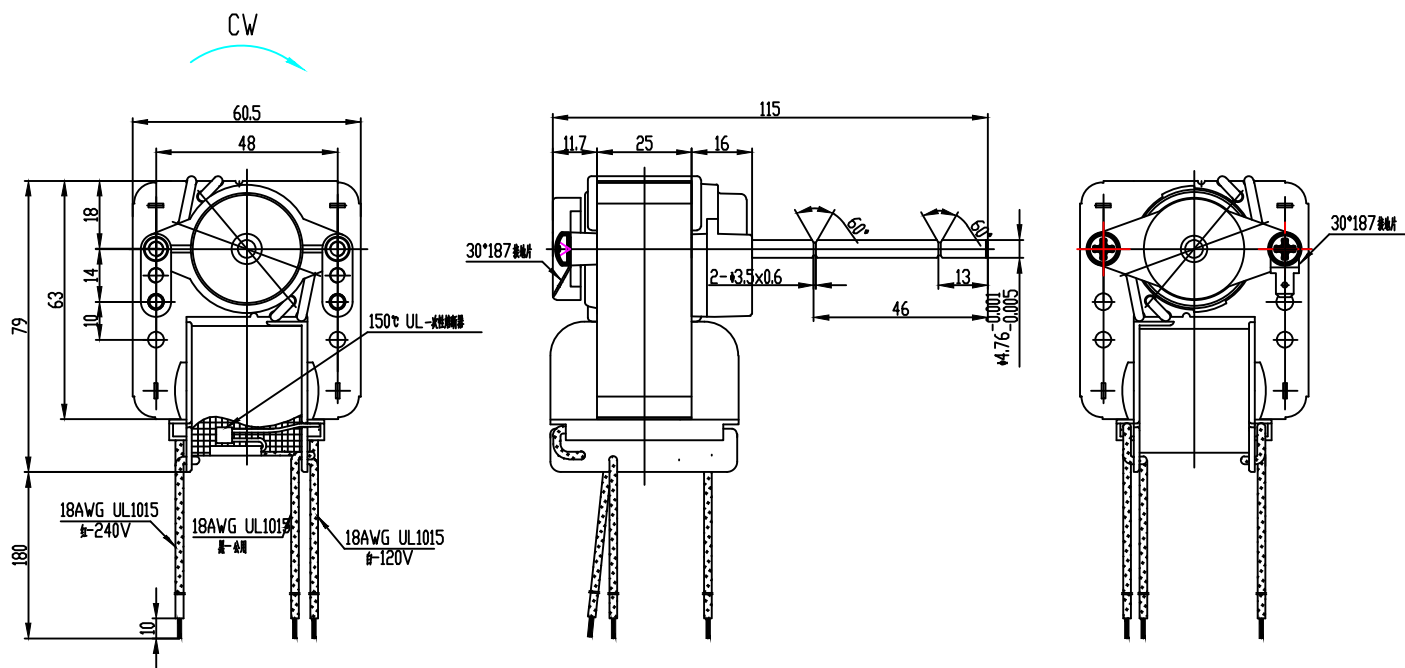


1 2 3 4 5



D  
C  
B

DRAWN BY :		GBJN3.137.446	
RESP ENGR :			
APPROVED BY :			
APPROVED BY :		YJF61/25外形图	
APPROVED BY :			
APPROVED BY :			
UNLESS OTHERWISE SPECIFIED DIMENSIONS ARE IN INCHES TOLERANCES ARE:		YJF61/25外形图	
DECIMAL .XX ± .030			
DECIMAL .XXX ± .005			
DECIMAL .XXXX ± .0005			
ANGULAR: ±			
1° ±			
FRACTIONS: ± 1/64		常州五王电机有限公司	
CAGE CODE	PART NUMBER	REV	
SCALE	DO NOT SCALE DRAWING	SHEET NO	

A

1 2 3 4 5